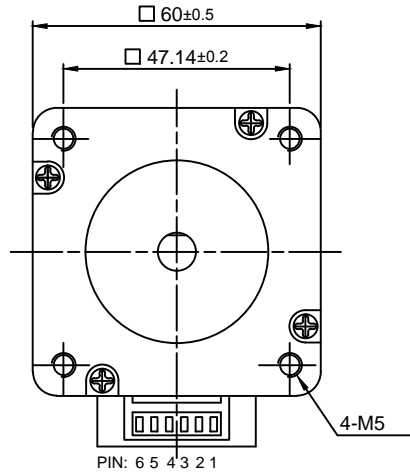
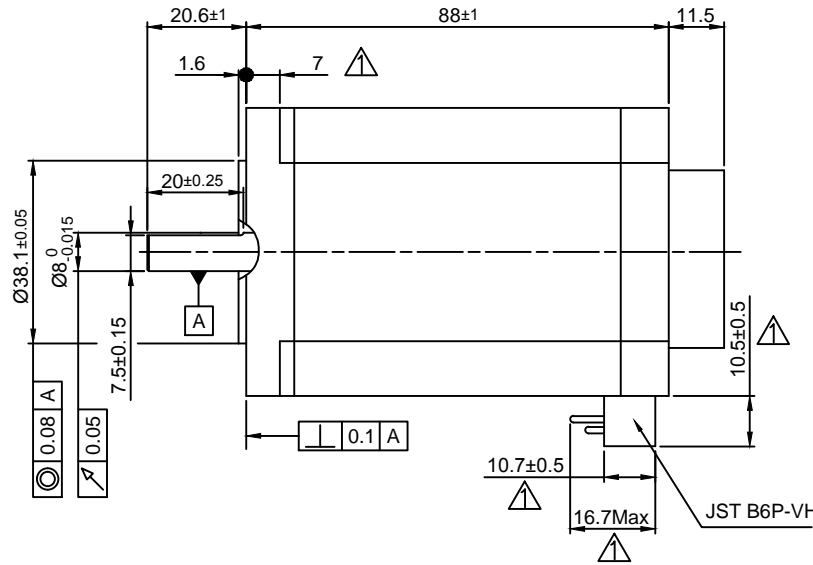


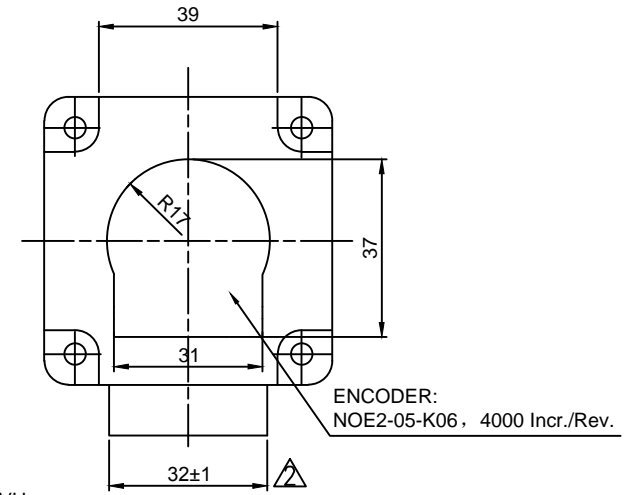
Front view and mounting



Side view

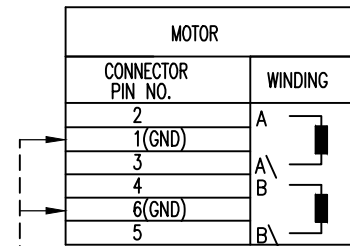
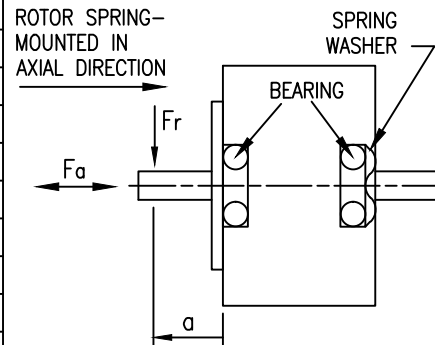


Rear view



SPECIFICATION	CONNECTION	BIPOLAR
		PARALLEL
VOLTAGE (VDC)		2.73
AMPS/PHASE		4.2
RESISTANCE/PHASE (Ohms)@25°C		0.65±15%
INDUCTANCE/PHASE (mH) @1KHz		3.2±20%
HOLDING TORQUE (Nm) [lb-in]		3.54 [31.29]
DETENT TORQUE (Nm) [lb-in]		0.075 [0.664]
STEP ANGLE (°)		1.8
ACCURACY(NON-ACCUM)		±5%
ROTOR INERTIA (Kg-m ²) [lb-in ²]		8.40x10 ⁻⁵ [0.287]
WEIGHT (Kg) [lb]		1.4 [3.087]

PERMISSIBLE RADIAL+AXIAL FORCE



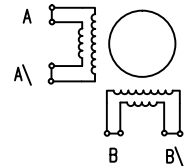
ENCODER PIN ASSIGNMENT JST SM10B-GHS-TB	
PIN NO.	FUNCTION
PIN 1	GND
PIN 2	A
PIN 3	A\
PIN 4	B\
PIN 5	B
PIN 6	\
PIN 7	I
PIN 8	0V
PIN 9	+5V
PIN 10	GND

-PIN 1 AND PIN 6 CONNECT WITH HOUSING OF MOTOR

FULL STEP 2 PHASE-Ex.,
WHEN FACING MOUNTING END (X)

STEP	A	B	A\	B\	CCW
1	+	+	-	-	↓
2	-	+	+	-	↑
3	-	-	+	+	↓
4	+	-	-	+	↑

WIRING DIAGRAM



TEMPERATURE RISE: MAX.80°C (MOTOR STANDSTILL; FOR 2 PHASE ENERGIZED)	AXIAL-FORCE Fa (N)				
	Fa=14				
AMBIENT TEMPERATURE -10~ 50°C [14°F ~ 122°F]	DISTANCE a (mm)	5	10	15	20
INSULATION RESISTANCE 100 MOhm (UNDER NORMAL TEMPERATURE AND HUMIDITY)	RADIAL-FORCE Fr (N)	163	112	85	63
INSULATION CLASS B 130° [266°F]			AXIAL	RADIAL	
DIELECTRIC STRENGTH 500VAC FOR 1 MIN. (BETWEEN THE MOTOR COILS AND THE MOTOR CASE)	SHAFT PLAY (mm)	0.075		0.025	
AMBIENT HUMIDITY MAX. 85% (NO CONDENSATION)	AT LOAD MAX: (N)	10		5.0	

02	NEW SIZE+TOLERANCE	17.12.13	GYQ
01	NEW SIZE+TOLERANCE	18.02.13	GYQ
REV	DESCRIPTION	DATE	APVD



SC6018L4204-EN005K

SCALE	FREE	APVD	
X	±0.5	CHKD	L B
1PL	±0.2	DRN	GYQ
2PL	±0.1		
ANGLE	±30'	SIGNATURE	DATE

STEPPING MOTOR

DWG.NO

SC6018L4204-EN005K